

BIBS100 Datasheet

BUILT-IN BREATHING SYSTEM BACK PRESSURE REGULATOR



Gas
 Liquid
 Diaphragm
 Piston
 Self-Venting
 Non-Venting
 Max Rating: 50 bar (725 psi)
 Control Range: 30 bar (435 psi)
 Cv 2.0



INTRODUCING THE BIBS100...

The BIBS100 is a negative-biased, dome-loaded back pressure regulator for gas applications. It offers fine adjustment of the bias spring for enhanced process control.

Its **balanced main valve** as standard minimises load on the seat and provides stable pressure control. In addition, servicing is simplified with easy access to the seat cartridge from the base of the regulator.

SPECIFICATION

| | |
|-----------------------|----------------------------------|
| Max. Rating | 50 bar (725 psi) |
| Control Range | Up to 30 bar (435 psi) Bias |
| Design Proof Pressure | 150% max. working pressure |
| Bias Spring | Up to 3 bar (45 psi) |
| Seat Leakage | In accordance with ANSI/FCI 70-3 |
| Weight | 6.5kg (14.3lbs) |

* Pressure regulator rating may be limited by connection type, Cv and/or seat material

STANDARD MATERIALS OF CONSTRUCTION

| PART | MATERIALS |
|-----------------|--|
| Body and Bonnet | AISI 316/316L Stainless Steel (UNS S31600/S31603) or Brass |
| Main Valve Pin | AISI 316/316L Stainless Steel (UNS S31600/S31603) or Brass |
| Soft Seat | PCTFE |
| Valve Spring | AISI 302 S26 Stainless Steel (UNS S30100) |
| Diaphragm | FKM/FPM |
| O-Rings | FKM/FPM |
| Spring | AISI 316/316L Stainless Steel (UNS S31600/S31603) |

FEATURES AND BENEFITS

1 LARGE SENSITIVE ELASTOMERIC DIAPHRAGM

Provides accurate pressure regulation.

2 EASY ACCESS TO SEAT CARTRIDGE

Simplified servicing through base of regulator.

3 FINE ADJUSTMENT OF BIAS SPRING

Enhanced control of process and set-up.

4 CV 2.0

Supports applications with a large flow.

NOTE: Product availability and specifications contained herein are subject to change without notice. Consult local distributor or factory for potential revisions and/or service related issues. Pressure Tech Ltd support with product selection recommendations only - it is the users responsibility to ensure the product is suitable for their specific application requirements.



DESIGNED AND BUILT IN THE UK

PRESSURE TECH LTD

Unit 24, Graphite Way, Hadfield, Glossop, Derbyshire, UK, SK13 1QH
 T +44 (0)1457 899 307
 E sales@pressure-tech.com
 W www.pressure-tech.com

280920

PAGE:
1 OF 4

BIBS100 Datasheet

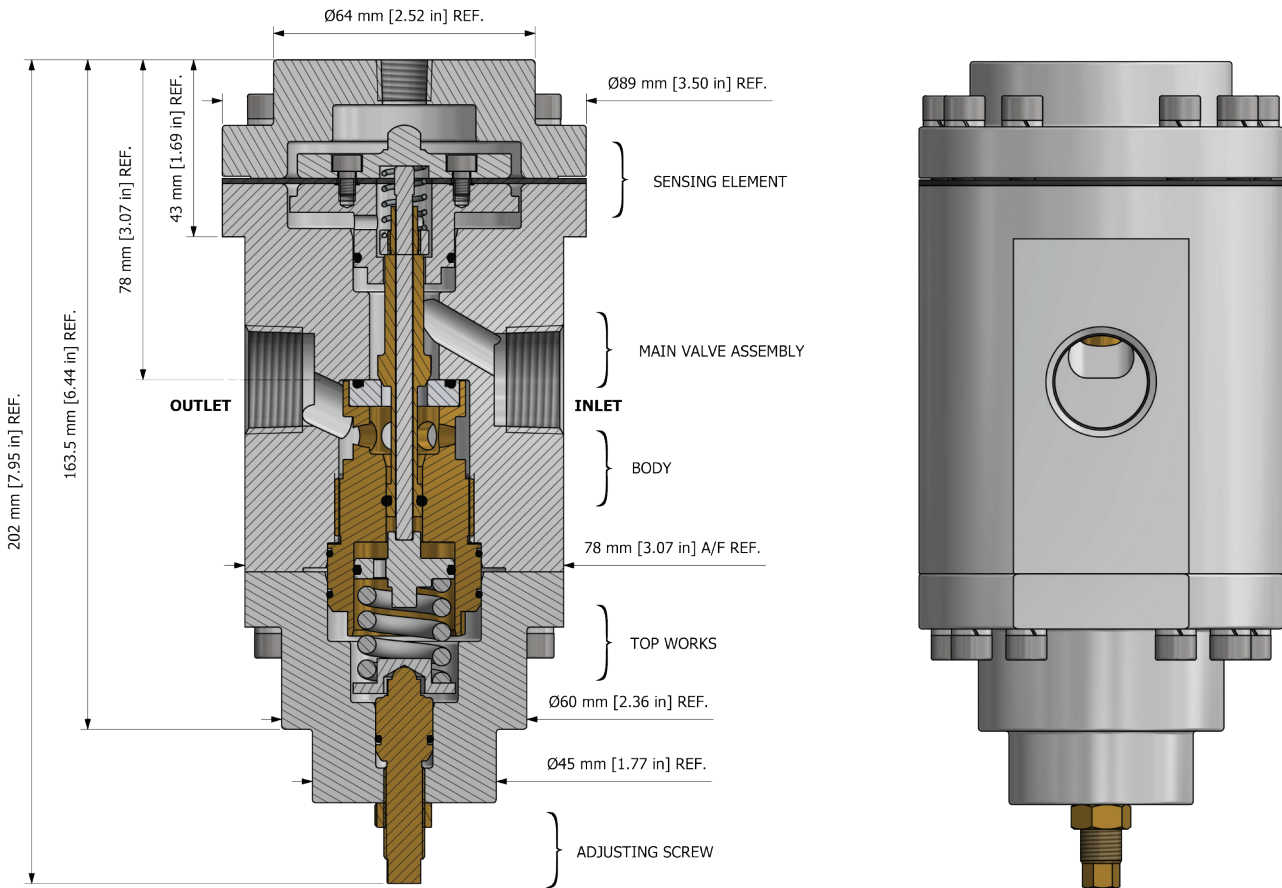
BUILT-IN BREATHING SYSTEM BACK PRESSURE REGULATOR



Gas
 Liquid
 Diaphragm
 Piston
 Self-Venting
 Non-Venting
 Max Rating: 50 bar (725 psi)
 Control Range: 30 bar (435 psi)
 Cv 2.0

DRAWINGS AND INSTALLATION DIMENSIONS

Dimensions shown for 3/4" NPT option - please contact the office for additional connections options.



Note:
All gauge ports are 1/4" NPT as standard.

NOTE: Product availability and specifications contained herein are subject to change without notice. Consult local distributor or factory for potential revisions and/or service related issues. Pressure Tech Ltd support with product selection recommendations only - it is the users responsibility to ensure the product is suitable for their specific application requirements.



DESIGNED AND BUILT IN THE UK

PRESSURE TECH LTD
 Unit 24, Graphite Way, Hadfield, Glossop, Derbyshire, UK, SK13 1QH
 T +44 (0)1457 899 307
 E sales@pressure-tech.com
 W www.pressure-tech.com

280920

PAGE:
2 OF 4

BIBS100 Datasheet

BUILT-IN BREATHING SYSTEM BACK PRESSURE REGULATOR

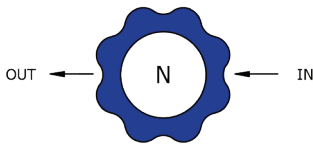


Gas Liquid | Diaphragm Piston | Self-Venting Non-Venting | Max Rating: 50 bar (725 psi) | Control Range: 30 bar (435 psi) | Cv 2.0

FLOW CURVE

Please contact the office for further information.

PORTING CONFIGURATIONS



NOTE: Product availability and specifications contained herein are subject to change without notice. Consult local distributor or factory for potential revisions and/or service related issues. Pressure Tech Ltd support with product selection recommendations only - it is the users responsibility to ensure the product is suitable for their specific application requirements.



DESIGNED AND BUILT IN THE UK



PRESSURE TECH LTD

Unit 24, Graphite Way, Hadfield, Glossop, Derbyshire, UK, SK13 1QH

T +44 (0)1457 899 307

E sales@pressure-tech.com

W www.pressure-tech.com

280920

PAGE:
3 OF 4

BIBS100 Datasheet

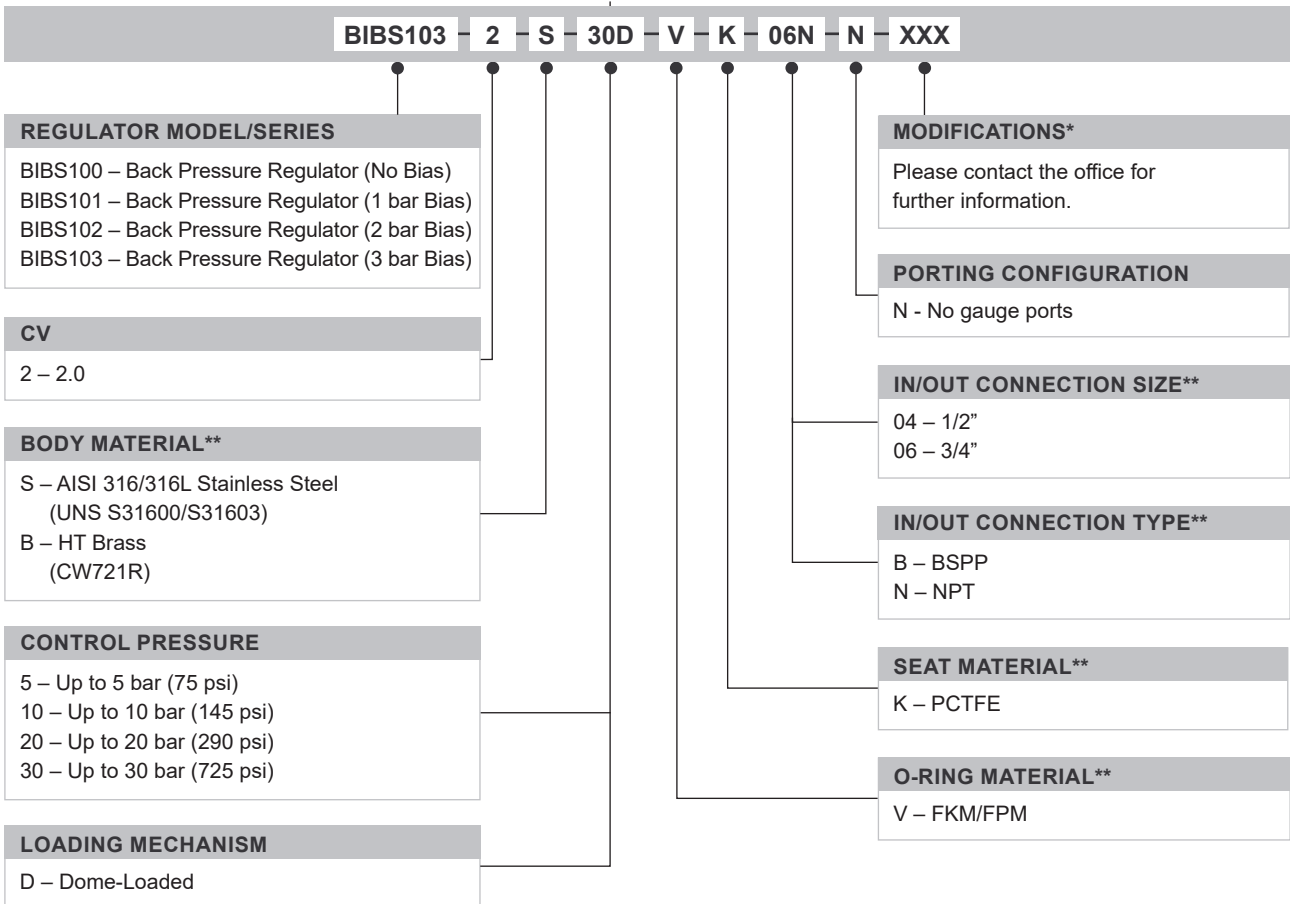
BUILT-IN BREATHING SYSTEM BACK PRESSURE REGULATOR



Gas
 Liquid
 Diaphragm
 Piston
 Self-Venting
 Non-Venting
 Max Rating: 50 bar (725 psi)
 Control Range: 30 bar (435 psi)
 Cv 2.0

ORDERING INFORMATION

To build a Pressure Tech part number, simply combine the characters identified below in sequence:



| OPTIONAL EXTRAS | | |
|---------------------|----------------|---------------------------|
| | PART NUMBER | DESCRIPTION |
| Service Kit | SRK-BIBS100... | Various options available |
| Panel Mounting Ring | PT-C-024 | - |

Note:
Ancillary Equipment and additional Service Kit options also available.

* Where applicable
** Other materials may be available - please contact the office

NOTE: Product availability and specifications contained herein are subject to change without notice. Consult local distributor or factory for potential revisions and/or service related issues. Pressure Tech Ltd support with product selection recommendations only - it is the users responsibility to ensure the product is suitable for their specific application requirements.



DESIGNED AND BUILT IN THE UK

PRESSURE TECH LTD
 Unit 24, Graphite Way, Hadfield, Glossop, Derbyshire, UK, SK13 1QH
 T +44 (0)1457 899 307
 E sales@pressure-tech.com
 W www.pressure-tech.com

280920